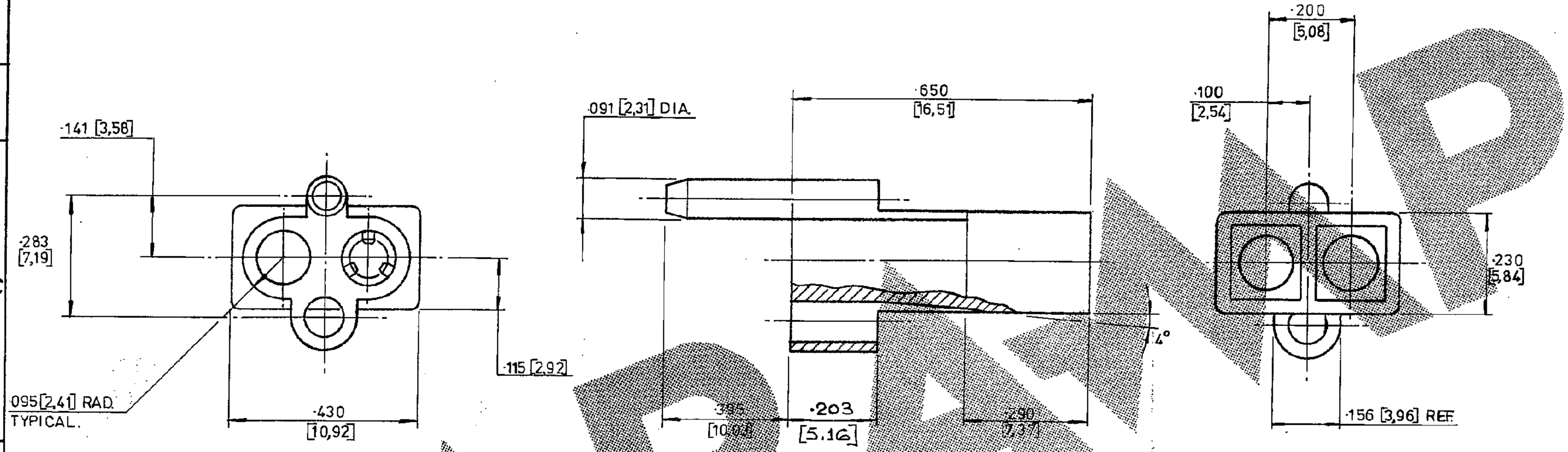


3rd ANGLE (AMERICAN) PROJECTION

DIMENSIONS IN INCHES. DO NOT SCALE PRINT
DIMENSIONS THUS [] IN MM.

NUMBER
C-152302



	2-152302-0	GREY
	2-152302-9	VIOLET
	2-152302-8	YELLOW
	2-152302-7	ORANGE
NYLON 6,6 AD. 417	2-152302-6	BROWN
	2-152302-5	RED
	2-152302-4	GREEN
	2-152302-3	BLUE
	2-152302-2	BLACK
	2-152302-1	NATURAL
MATERIAL	PART N°	FINISH

	1-152302-4	GREY
	1-152302-3	VIOLET
	1-152302-2	YELLOW
	1-152302-1	ORANGE
NYLON 6,6	1-152302-0	BROWN
	152302-9	RED
	152302-8	GREEN
	152302-7	BLUE
	152302-6	BLACK
	152302-5	NATURAL
MATERIAL	PART N°	FINISH

AA	EB00-0430-02	SS	PB	19-12-02
G	.203 DIM. WAS .198	KS	-	29/4/82
F	REDRAWN 2-152302-110 3-152302-0 ADDED	TLS		8-4-82
ISS	REVISION RECORD	DR	CHK	DATE
DR	TLS	8-4-82	DE	
CHK	Bl	14/4/82	R.P. Magall	14/4/82

© AMP of GREAT BRITAIN LTD 1968 & 82		CUSTOMER COPY REFERENCE ONLY	
MATERIAL AND FINISH SEE TABLE		AMP of Great Britain Ltd. TERMINAL HOUSE, STANMORE, MIDDX.	
WIRE — RANGE — INSULATION		CLASS	
TOLERANCE EXCEPT AS NOTED ±.015 [0.38] ±1° 0'		SCALE 4:1	LOC E B
NAME 2 WAY SOCKET HOUSING FOR P.C. BOARD		NO C-152302	